

# INCLINED TUBE MANOMETER

## Model **DPA**

The inclined tube manometer is intended for use in applications where measurement of low pressure and differential pressure is needed or in monitoring applications where clear and reliable reading must be made from a distance. Its design makes the instrument highly suitable for applications involving occasional differential pressures exceeding the measuring range.



### FEATURES

- Clear and easy reading
- Good contrast
- Zero adjustment screw
- Large filling liquid reservoir
- Metering liquid does not blow out during momentary overloads
- Due to the construction metering liquid does not evaporate during overloads
- Provided with filling liquid, mounting screws and instructions

### ACCESSORIES AND OPTIONS

- Scale in other units than Pa. e.g., mm W.C.
- Special scale markings
- Customers logo
- Printed with other texts
- Hoses

### TYPICAL APPLICATIONS

- Air conditioning strainers
- Blowers
- Dust filters
- Pressurized enclosures
- Draught measurement in furnaces
- Laboratories

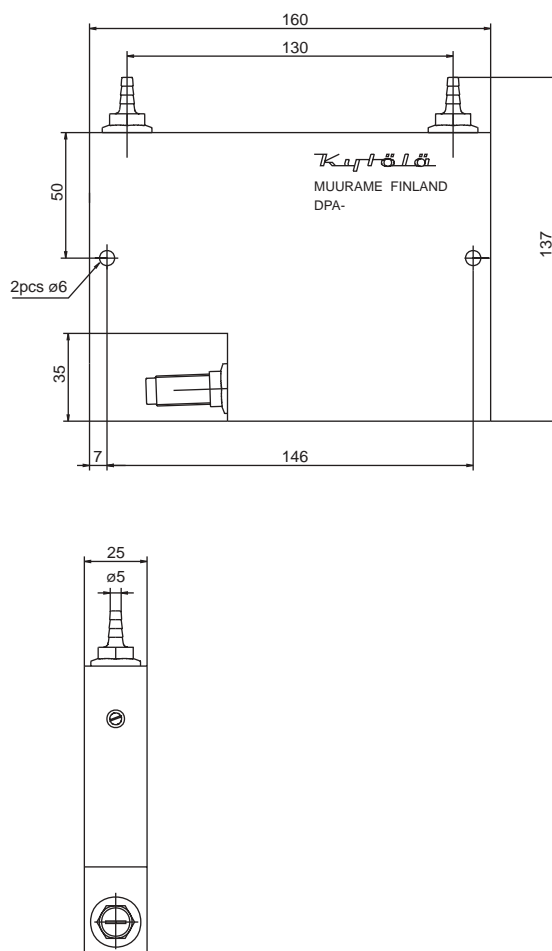
# DPA

## Technical data DPA



Metering liquid	Red, hydrocarbon mixture, $\rho=0,78$
Weight (incl. liquid)	500 g
Body	Acrylic (PMMA)
Connectors	Polycarbonate (PC)
Seals	Nitrile
Max. overload	5-30 x measuring range (depends on the way of mounting)
Max. static pressure	10 bar
Ambient temperature	-40 ... +50 °C
Accuracy	$\pm 5\%$ F.S. of inclined range
Connections	For 4-6 mm hose (inside diameter)

DPA-		
	<b>Inclined scale</b>	<b>Vertical scale</b>
100P	0 - 100 Pa	100 - 400 Pa
200P	0 - 200 Pa	200 - 500 Pa
300P	0 - 300 Pa	300 - 500 Pa
500P	0 - 500 Pa	



MANUFACTURER

# Kytola

INSTRUMENTS

KYTOLA OY • Olli Kytolan tie 1  
P.O. Box 5 • FI-40951 MUURAME • FINLAND  
Phone +358 207 7906 90 • Fax +358 14 631 419  
E-mail sales@kytola.com • www.kytola.com

LOCAL REPRESENTATIVE