

The KYTOLA® variable area flow meter models A, C and D are clear, easy to read acrylic flow meters.

They are reliable instruments for measuring and monitoring liquid and gas flows.



## FLOW METER A, C, D

- For liquid or gas
- Flow ranges from 2 – 20 mL/min up to 10 – 100 L/min (H<sub>2</sub>O)
- Flow ranges from 0.1 – 0.9 NL/min up to 500 – 2500 NL/min (Air)
- Maximum pressure 20 bar (30 bar/30°C)
- Maximum temperature 75°C

### FEATURES

- Machined acrylic body
- Clear, easy to read scales

### TYPICAL APPLICATIONS

- Water treatment
- Sealing water measurements
- Gas flow measurements

### OPTIONS

- Scales for alternative liquids and gases
- Special scale markings
- Thread adapters

## Model

A

## Connections

BSP 3/8", thread adapters must be used for NPT connections

## Body

Acrylic (PMMA)

## Max. pressure

20 bar (30 bar/30°C)

## Max. temperature

75°C

## Weight

190 g

## Accuracy

±5% F.S. (H<sub>2</sub>O, +20°C)A - Flow Range  
H<sub>2</sub>O

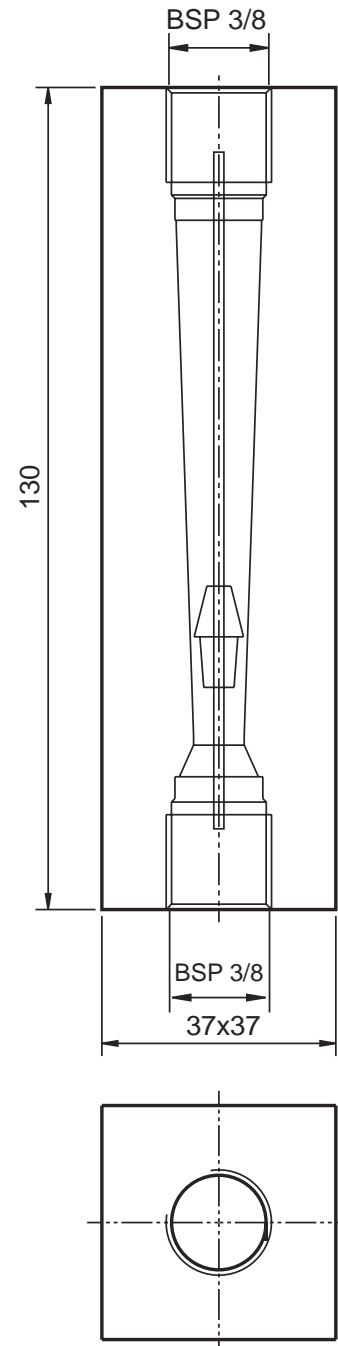
## Air

2 – 20 mL/min	0.1 – 0.9 NL/min	<b>2K</b>
4 – 34 mL/min	0.1 – 1.3 NL/min	<b>2A</b>
5 – 60 mL/min	0.2 – 2 NL/min	<b>2B</b>
10 – 95 mL/min	0.4 – 2.8 NL/min	<b>2C</b>
0.01 – 0.13 L/min	0.5 – 6.5 NL/min	<b>3K</b>
0.02 – 0.22 L/min	0.5 – 8 NL/min	<b>3A</b>
0.02 – 0.36 L/min	1 – 11 NL/min	<b>3B</b>
0.05 – 0.5 L/min	1 – 14 NL/min	<b>3C</b>
0.1 – 1.1 L/min	4 – 30 NL/min	<b>8M</b>
0.2 – 1.8 L/min	5 – 50 NL/min	<b>8P</b>
0.2 – 2.6 L/min	5 – 75 NL/min	<b>8S</b>
0.25 – 3 L/min	10 – 90 NL/min	<b>8R</b>
0.5 – 5 L/min	10 – 150 NL/min	<b>5A</b>
0.5 – 6.5 L/min	20 – 220 NL/min	<b>8D</b>

## Scale

H<sub>2</sub>O (L/min) at +20°C

Air (NL/min) at +20°C/101.3 kPa

A  
R

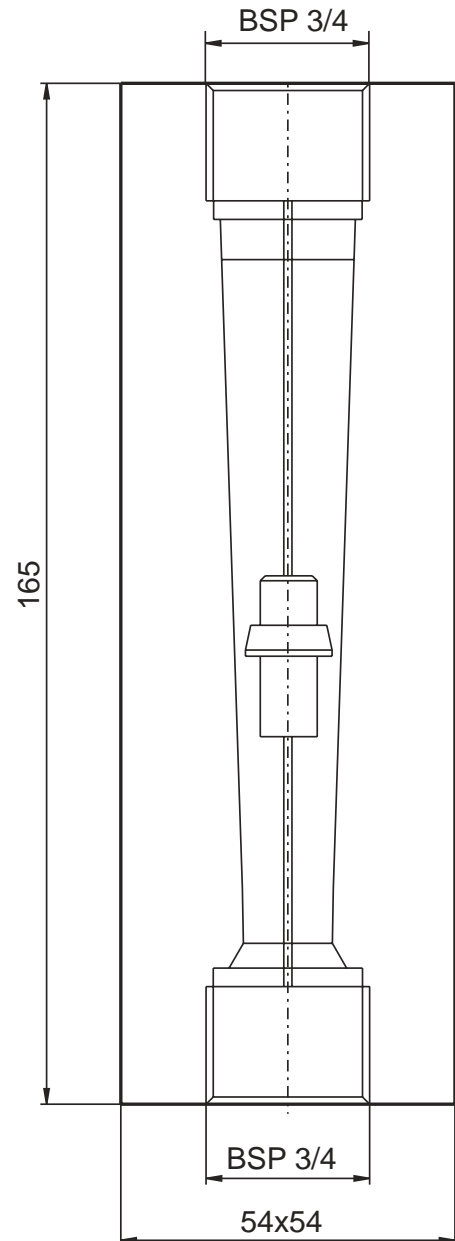
<b>Model</b>	<b>C</b>
Connections	BSP 3/4", thread adapters must be used for NPT connections
Body	Acrylic (PMMA)
Max. pressure	20 bar (30 bar/30°C)
Max. temperature	75°C
Weight	510 g
Accuracy	±5% F.S. (H <sub>2</sub> O, +20°C)

C - **Flow Range**

H <sub>2</sub> O	Air		
0.5 – 5 L/min	20 – 200 NL/min	<b>4A</b>	
1 – 8.5 L/min	25 – 250 NL/min	<b>4B</b>	
1 – 10 L/min	25 – 300 NL/min	<b>4C</b>	
2 – 16 L/min	75 – 450 NL/min	<b>4D</b>	
2 – 20 L/min	50 – 600 NL/min	<b>4E</b>	
5 – 30 L/min	100 – 1000 NL/min	<b>4F</b>	

**Scale**H<sub>2</sub>O (L/min) at +20°C

Air (NL/min) at +20°C/101.3 kPa

**A**  
**R**

# D

# TECHNICAL DATA

## Model

D

## Connections

BSP 1", thread adapters must be used for NPT connections

## Body

Acrylic (PMMA)

## Max. pressure

20 bar (30 bar/30°C)

## Max. temperature

75°C

## Weight

620 g

## Accuracy

±5% F.S. (H<sub>2</sub>O, +20°C)

D –

## Flow Range

H<sub>2</sub>O

Air

7.5 – 40 L/min	200 – 1200 NL/min	<b>4A</b>
7.5 – 50 L/min	200 – 1400 NL/min	<b>4B</b>
10 – 60 L/min	300 – 1500 NL/min	<b>4C</b>
10 – 80 L/min	300 – 2100 NL/min	<b>4D</b>
10 – 100 L/min	500 – 2500 NL/min	<b>4E</b>

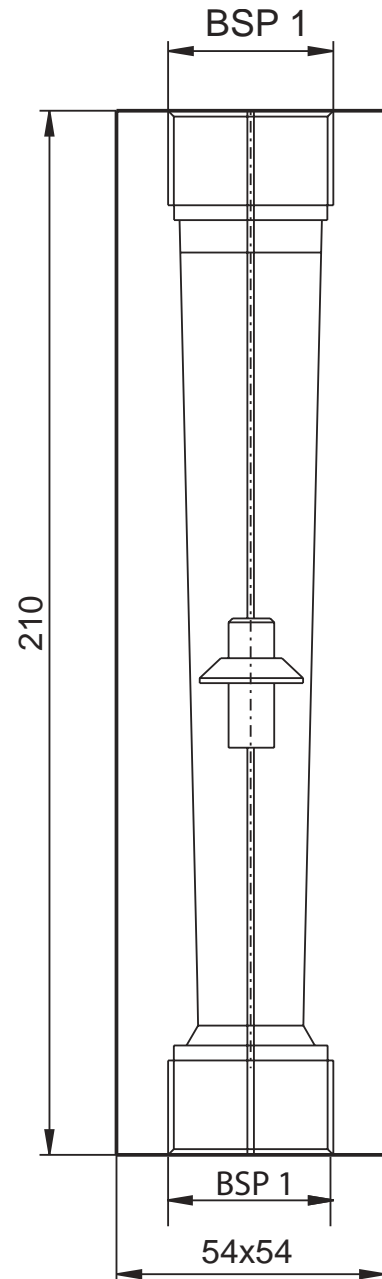
## Scale

H<sub>2</sub>O (L/min) at +20°C

**A**

Air (NL/min) at +20°C/101.3 kPa

**R**



**Kytola**  
INSTRUMENTS

www.kytola.com

**Kytola Instruments Oy**  
Olli Kytölään tie 1  
FI-40950 Muurame, Finland  
Tel. +358 20 779 0690  
Fax +358 14 631 419  
E-mail info@kytola.com